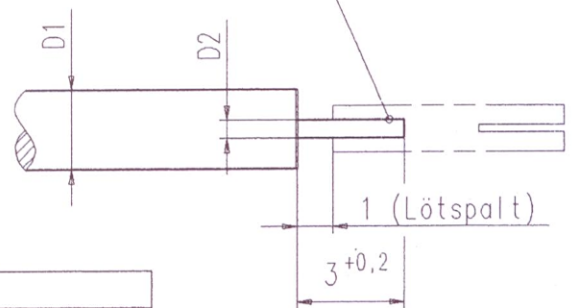


Löten
(Nur Lot im Buchseninnenbereich)



STANDARD MATING AREA: IEC 169-15 GRADE1

ENVIRONMENTAL CHARACTERISTICS PLEASE REFER TO:
IMS CATALOGUE

PART	MATERIAL	FINISH
BODY	CuZn39 Pb3 F44	LAST DIGIT OF CODE ('): 1: 0.8 μ m Au
CENTRE CONTACT	BERYLCO 33-25	1.3 μ m Au
ISOLATOR	TEFLON (PTFE)	5: OPTALLOY
		9: 5-8 μ m Ni

Für Kabel /
For cable

gr.	Type/Typ	ϕ D1	ϕ D2	ϕ D3	ϕ D4
6	RG 405/U (UT85)	2.20	0.51	2.40	3.10
7	RG 402/U (UT141)	3.58	0.91	3.80	4.50